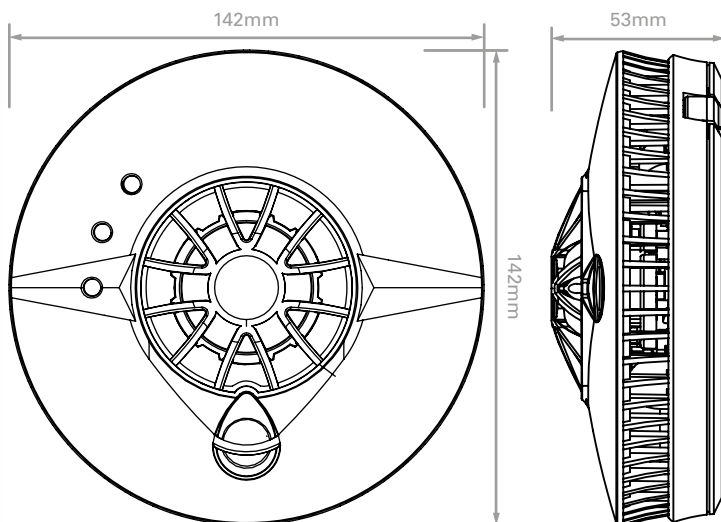


HT-230

230V Mains Powered Class A1 Heat Alarm with 10 Year Sealed for Life Battery Back-up



Weight: 221g

Product Features

- 10 year lithium battery back-up - no need to worry about changing the battery.
- Hardwire interlink with up to 30 other FireAngel Pro alarms.
- Modern design.
- Combined central test, silence and locate button.
- Ultra slim, integrated mounting base for easy installation.
- Intelligent locate feature - silence all but the initiating alarm on a network.
- For use in kitchens, garages, lofts and other areas not suitable for a smoke alarm.
- Can be used on a network of battery and mains powered products, using both hardwire interconnected and wirelessly interlinked products.

Technical Specification

Supply voltage	230V AC, 50Hz
Battery back-up	10 year sealed for life lithium battery
Technology	Class A1 heat sensor
Installation positions	Ceiling
Maximum number of connected units	30 hardwire interconnected
Alarms at temperature range	54°C to 65°C
Alarm sound level	85dB (A) at 3m (minimum)
Plastic material	ABS, (UL94 V0 flame retardant)
Approvals	BS 5446-2: 2003
Normal operating temperature	+4°C to +38°C
Normal operating humidity	Up to 90% RH non-condensing
Storage temperature	-20°C to +60°C
Storage humidity	Up to 93% RH non-condensing



BS5446-2:2003
Licence No: KM607094

GN3928R1